



SENTIENT BLIND **AFTER BEAT**

Combination of three materials: aluminum, wood and fabric, adds harmony and distinction to your personal space.



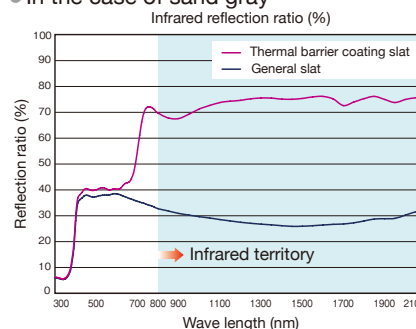
New New release of “Eco Natural Color Series” Thermal barrier coating slat realizes eco-friendly with design

The thermal barrier coating slat as “Eco Natural Color Series” has excellent heat shielding. Since it reflects strong sunlight more effectively than general slats, it increases the cooling efficiency for air conditioner. So it's eco-friendly and Money wise. Furthermore, two-tone design slat can be enjoyed two difference colors in one unit.

● Performance of Infrared Reflection Ratio

Slat Type	Color Name	
	Pure white	Sand gray
General slat	72.4%	29.1%
Eco natural color (Thermal barrier coating slat)	73.0%	71.6%

● In the case of sand gray



General slat

Little reflection

Thermal barrier coating slat

In the case of sand gray:
The reflection ratio is about **2.5** times higher
The temperature of the blind is **-3.7°C**

Significant reflection

Reduce air conditioning load by preventing the rise of room temperature!

An earth-friendly and comfortable office!

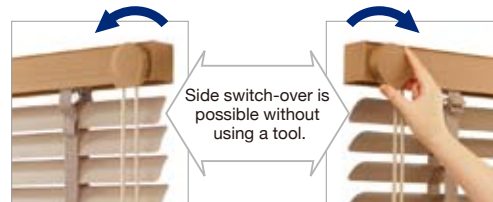
New New release of water-resistant “AFTER BEAT Aqua” Suitable for use in the place with moisture

Ten items centering on the popular grain pattern can be enjoyed in the kitchen, bathroom and other place with moisture. Enabling luxurious moments of resort-like relaxation in everyday space.



New “Side Switch-Over Function” convenient for rearranging rooms released!

Side Switch-Over Function has been added to the Loop type. When you wish to change the operation position due to room rearrangements, etc., you can switch over from left to right or vice-versa easily without using a tool.



New The operability and available sizes of the Loop type have been significantly improved.

Loop Type suitable for large windows. With the operational load reduced by about 30% compared to conventional company products, operation has been made easier than before. In addition, the available sizes have been extended to the maximum area of 7.0m² from the previous 6.0m²!

Operation power reduced by **30%**
(Compared to conventional company products)

New “Height Adjustment Function” Perfectly adjustable to window frames or floors

Industry's First

The height of blinds after installation can now be easily adjusted (up to approximately 30mm). This function is standard for all types of AFTER BEAT. This enables the blinds to accurately fit inside a window frame, thus resolving the issue of the unpleasant sound of blinds hitting the window frame.



<Ladder Cord Specification>
The height can be adjusted with a coin or flat-braid screwdriver.



<Ladder Tape Specification>
The height can be adjusted without using a tool.

PRODUCT TYPE & SPECIFICATION

Ladder Specifications		Narrow slats are recommended for small windows and tall windows. Slat width: 35mm			Wide slats are recommended for terrace windows. Slat width: 50mm	
		AFTER BEAT 35 [Pole type]	AFTER BEAT 35 [Cord type]	AFTER BEAT 35 [Loop type]	AFTER BEAT 50 [Cord type]	AFTER BEAT 50 [Loop type]
Ladder Cord Specifications						
		<small>*Also applicable for (Safety Joint specifications)</small>	<small>*Also applicable for (Safety Joint specifications)</small>		<small>*Also applicable for (Safety Joint specifications)</small>	
Ladder Tape Specifications		AFTER BEAT 35R [Pole type]	AFTER BEAT 35R [Cord type]	AFTER BEAT 35R [Loop type]	AFTER BEAT 50R [Cord type]	AFTER BEAT 50R [Loop type]
		<small>*Also applicable for (Safety Joint specifications)</small>	<small>*Also applicable for (Safety Joint specifications)</small>		<small>*Also applicable for (Safety Joint specifications)</small>	
Available sizes	Product width	330~2000mm	450~2400mm	450~2400mm	450~2400mm	450~2400mm
	Product height	300~2500mm	500~3000mm	500~5000mm	500~3000mm	500~5000 (2500) mm
	Max. area	4.0m ²	4.0m ²	7.0m ²	4.0m ²	7.0 (6.0) m ²

- AB-7101 (Frost white) and AB-7102 (Frost brown) are only available for slats 50mm in width and are not applicable for 35mm product types.
- In the cases of the Loop type with a product width of 570mm or less, available product heights are 2500mm or less.
- (Safety Joint Specifications) are applicable for Pole types and Cord types.

Type of Operation

Pole Type	Cord Type	Loop Cord Type
<small>*Also applicable for (Safety Joint specifications)</small>	<small>*Also applicable for (Safety Joint specifications)</small>	
Specially for AB35 or 35R	For All Items	For All Items

Type of Valance (Optional)

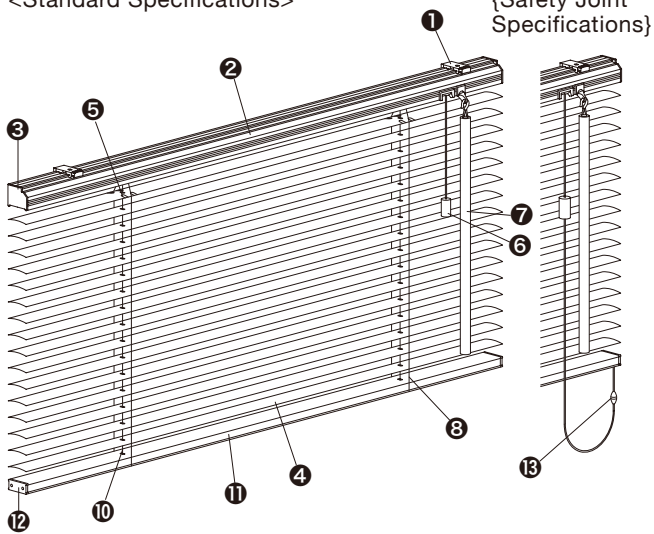
Natural Wood Valance 21 colors in 3 styles				Modern Material Valance 10 colors in 3 series (Only applicable for Valance Set)
Flat style	Flat style metal line		Step style	
	Silver	Brown		

STRUCTURE & PART NAME

AFTER BEAT 35 [Pole type]

<Standard Specifications>

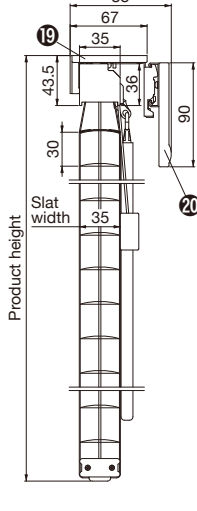
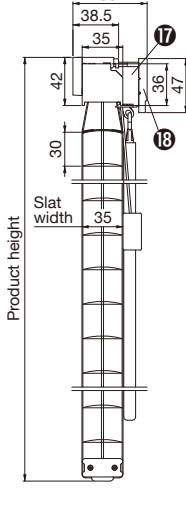
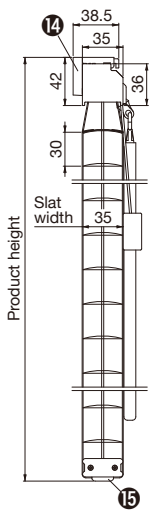
{Safety Joint Specifications}



Without valance

With natural wood valance

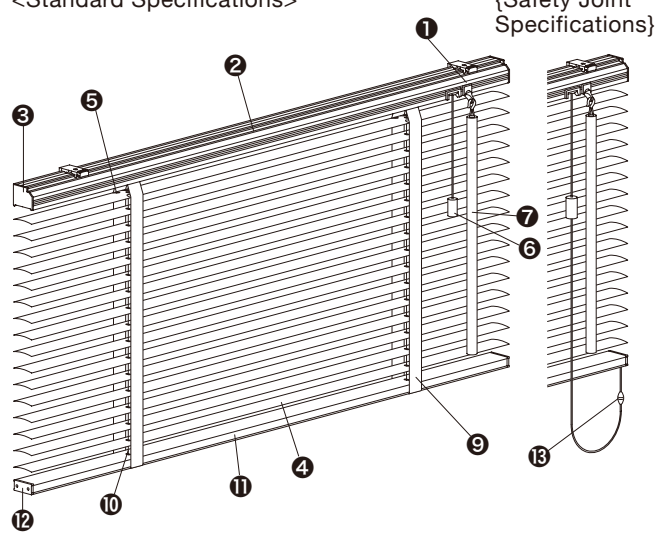
With modern material valance



AFTER BEAT 35R [Pole type]

<Standard Specifications>

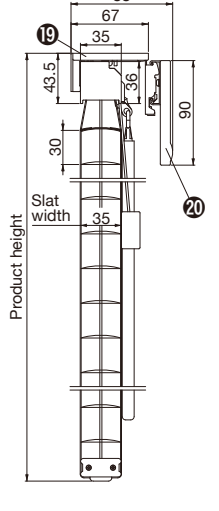
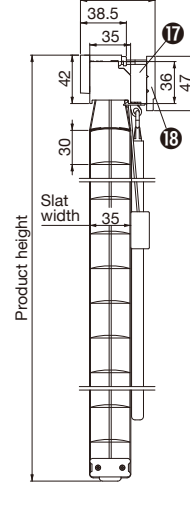
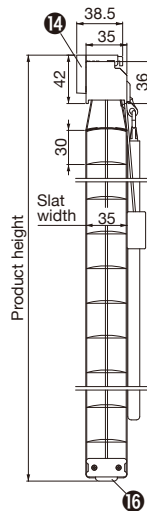
{Safety Joint Specifications}



Without valance

With natural wood valance

With modern material valance



Part Name and Material

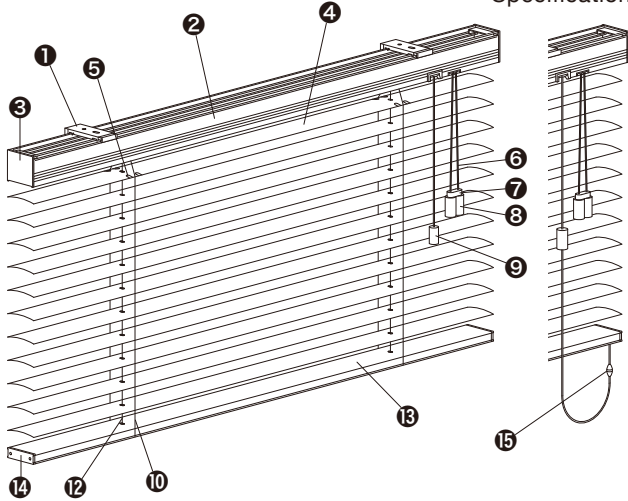
Part Name	Material	Color
1 Mounting Bracket	Stainless alloy, Plastic	Plastic: Clear
2 Head Rail	Extruded aluminum	13 colors similar to Bottom Rail
3 Head Rail Cap	Plastic	13 colors similar to Head Box
4 Slat	Corrosion-resistant aluminum alloy	40 colors
5 Slat Holder	Corrosion-resistant aluminum alloy	26 colors similar to slat color
6 Tassel	Basswood	17 colors similar to Bottom Rail
7 Tilt Pole	Basswood	17 colors similar to Bottom Rail
8 Ladder Cord	Polyester	13 colors similar to slat color
9 Ladder Tape	Polyester	26 colors
10 Lift Cord	Polyester	13 colors similar to slat color

Part Name	Material	Color
11 Bottom Rail	Basswood	19 colors in total
12 Bottom Rail Plate	Plastic	13 colors similar to Bottom Rail
13 Safety Joint	Plastic	Milky white
14 Bracket Cap	Plastic	13 colors similar to Head Box
15 Tape Holder	Plastic	13 colors similar to Bottom Rail
16 Bottom Holder	Plastic	13 colors similar to Bottom Rail
17 Valance Holder	Plastic	Clear
18 Natural Wood Valance	Basswood Metal line portion: Extruded aluminum	19 colors identical to Bottom Rail Metal line portion: 2 colors of silver and brown
19 Valance Mounting Bracket	Steel plate press molding	
20 Modern Material Valance	Extruded aluminum	10 colors

AFTER BEAT 35 / 50 [Cord type]

<Standard Specifications>

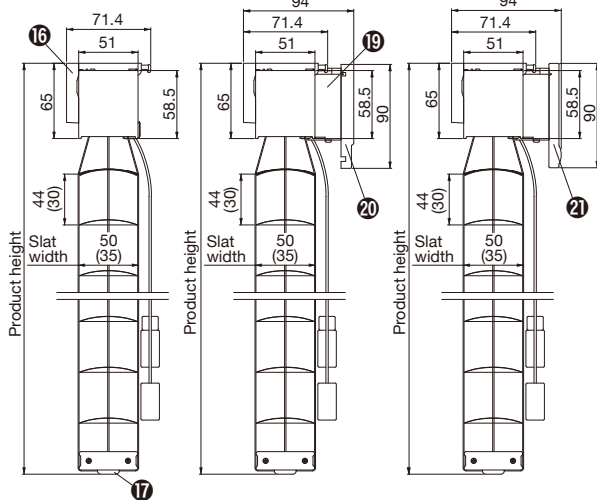
{Safety Joint Specifications}



Without valance

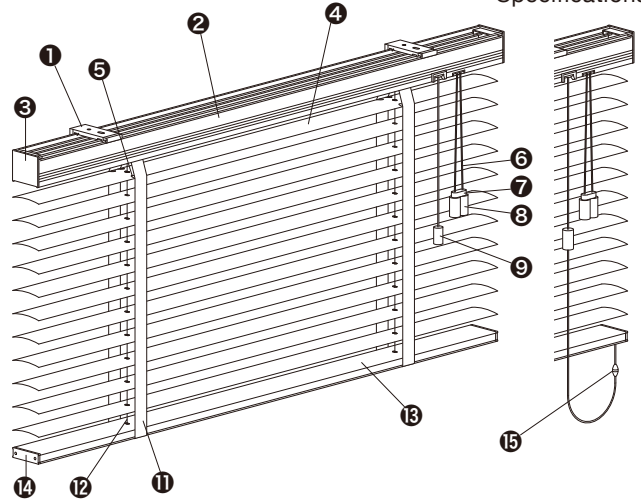
With natural wood valance

With modern material valance

**AFTER BEAT 35R / 50R [Cord type]**

<Standard Specifications>

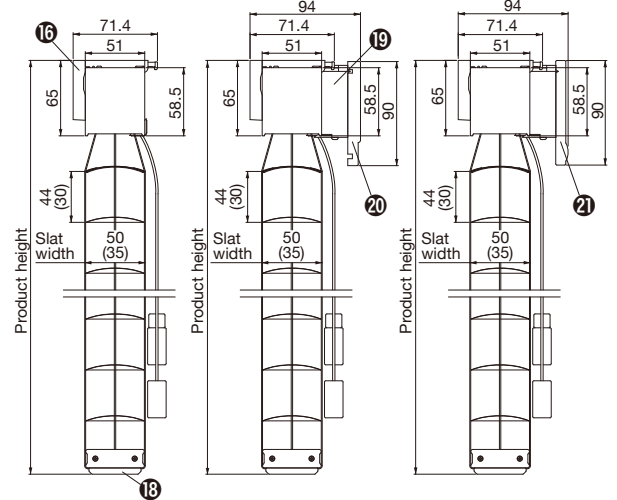
{Safety Joint Specifications}



Without valance

With natural wood valance

With modern material valance

**Part Name and Material**

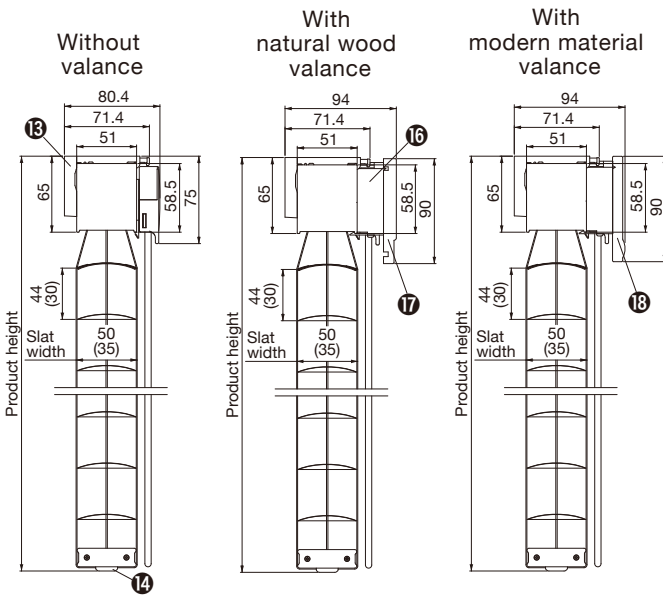
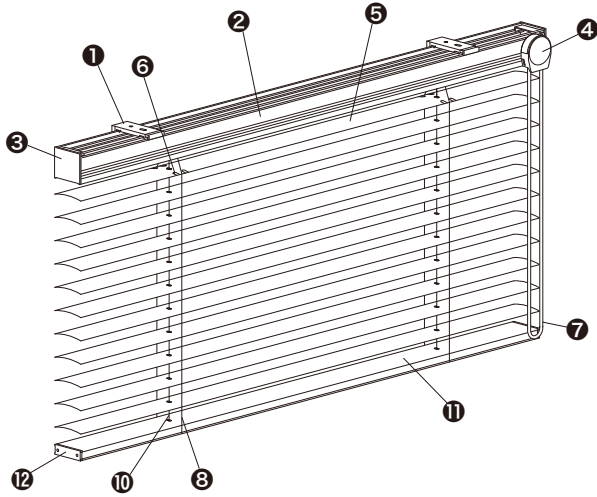
Part Name	Material	Color
① Mounting Bracket	Stainless alloy, Plastic	Plastic: Clear
② Head Rail	Extruded aluminum	13 colors similar to Bottom Rail
③ Head Rail Cap	Plastic	13 colors similar to Head Box
④ Slat	Corrosion-resistant aluminum alloy Extruded plastic	Corrosion-resistant aluminum alloy: 40 colors Extruded plastic: 2 colors (plastic is only 50mm)
⑤ Slat Holder	Corrosion-resistant aluminum alloy	26 colors similar to Slat color
⑥ Opening / Closing Cord	Polyester	13 colors similar to Slat color
⑦ Level Tassel	Basswood	17 colors similar to Bottom Rail
⑧ Tilt Tassel	Basswood	17 colors similar to Bottom Rail
⑨ Lift Tassel	Basswood	17 colors similar to Bottom Rail
⑩ Ladder Cord	Polyester	13 colors similar to Slat color

Part Name	Material	Color
⑪ Ladder Tape	Polyester	26 colors
⑫ Lift Cord	Polyester	13 colors similar to Slat color
⑬ Bottom Rail	Basswood	19 colors in total
⑭ Bottom Plate	Plastic	13 colors similar to Bottom Rail
⑮ Safety Joint	Plastic	Milky white
⑯ Bracket Cap	Plastic	13 colors similar to Head Box
⑰ Tape Holder	Plastic	13 colors similar to Bottom Rail
⑱ Bottom Holder	Plastic	13 colors similar to Bottom Rail
⑲ Valance Holder	Plastic	Clear
⑳ Natural Wood Valance	Basswood Metal line portion: Extruded aluminum	19 colors identical to Bottom Rail Metal line portion: 2 colors of silver and brown
㉑ Modern Material Valance	Extruded aluminum	10 colors

STRUCTURE & PART NAME

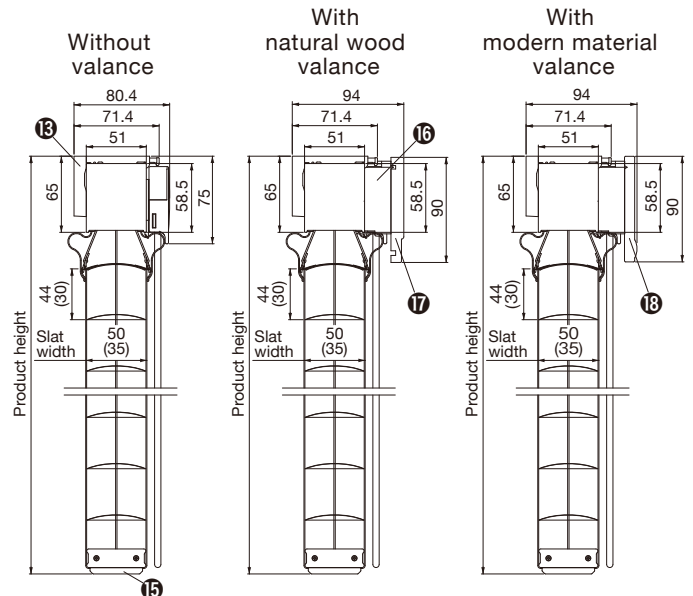
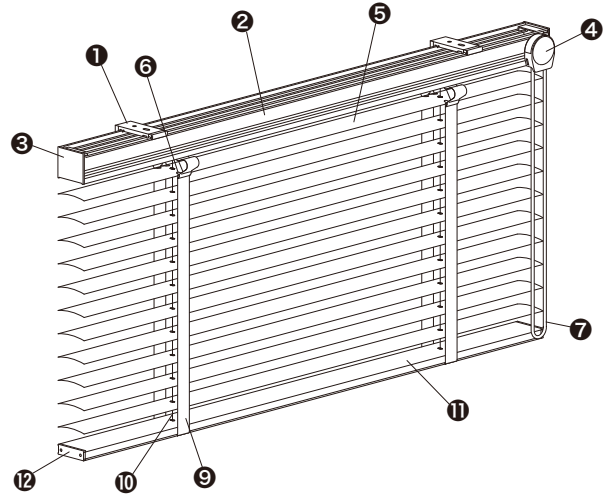
AFTER BEAT 35 / 50 [Loop type]

<Standard Specifications>



AFTER BEAT 35R / 50R [Loop type]

<Standard Specifications>



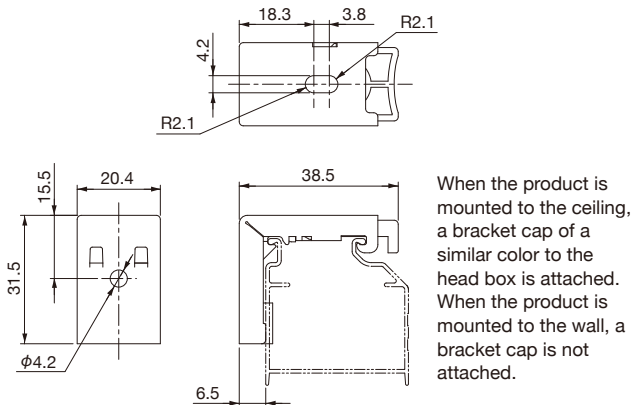
Part Name and Material

Part Name	Material	Color
① Mounting Bracket	Stainless alloy, Plastic	Plastic: Clear
② Head Rail	Extruded aluminum	13 colors similar to Bottom Rail
③ Head Rail Cap	Plastic	13 colors similar to Head Box
④ Operation Pulley	Plastic, etc.	13 colors similar to Head Box
⑤ Slat	Corrosion-resistant aluminum alloy Extruded plastic	Corrosion-resistant aluminum alloy: 40 colors Extruded plastic: 2 colors (plastic is only 50mm)
⑥ Slat Holder	Corrosion-resistant aluminum alloy	26 colors similar to slat color
⑦ Operation Cord	Polyester	13 colors similar to slat color
⑧ Ladder Cord	Polyester	13 colors similar to slat color
⑨ Ladder Tape	Polyester	26 colors

Part Name	Material	Color
⑩ Lift Cord	Polyester	13 colors similar to slat color
⑪ Bottom Rail	Basswood	19 colors
⑫ Bottom Plate	Plastic	13 colors similar to Bottom Rail
⑬ Bracket Cap	Plastic	13 colors similar to Head Box
⑭ Tape Holder	Plastic	13 colors similar to Bottom Rail
⑮ Bottom Holder	Plastic	13 colors identical to Bottom Rail
⑯ Valance Holder	Plastic	Clear
⑰ Natural Wood Valance	Basswood lumber Metal line part: Aluminum extrusion	19 colors identical to Bottom Rail Metal Line portion 2 colors of silver and brown
⑱ Modern Material Valance	Aluminum extrusion	10 colors

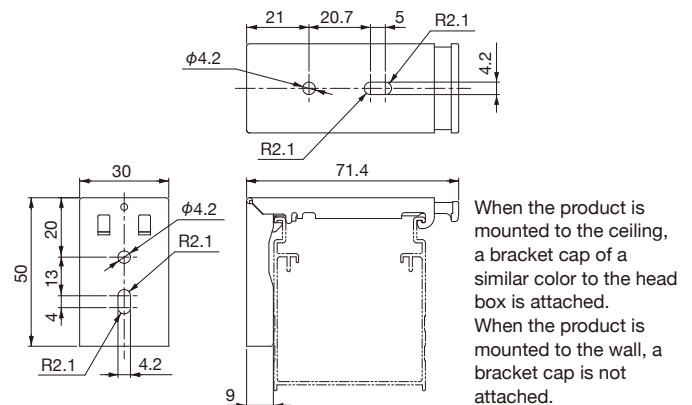
Bracket Specification

Pole Type



Product Width	Number of Brackets
330~1500mm	2
1510~2000mm	3

Cord Type/Loop Type

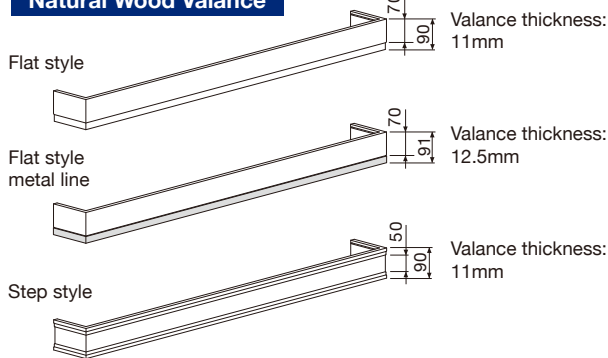


Product Width	Number of Brackets
450~1830mm	2
1840~2400mm	3

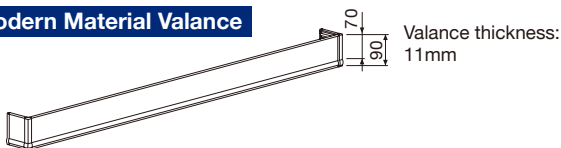
Valance Specification

L Type for 35/35R/50/50R [Pole/Cord/Loop type]

Natural Wood Valance

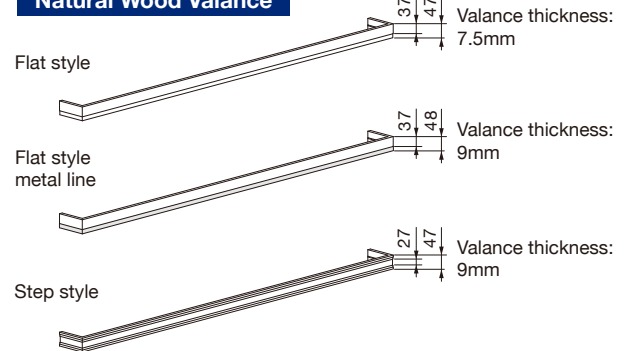


Modern Material Valance



S Type for 35/35R [Pole type]

Natural Wood Valance



Product Weight

			Head Box Portion	Slat + Bottom Rail	Valance (wooden)
35/35R [Pole type]			Product width (m) × 0.5 [kg]	(Product width (m) × Product height (m) × 0.8) + (Product width (m) × 0.15) [kg]	Product width (m) × 0.2 [kg]
35/35R [Cord type/Loop type]			Product width (m) × 0.8 [kg]	(Product width (m) × Product height (m) × 0.8) + (Product width (m) × 0.15) [kg]	Product width (m) × 0.35 [kg]
50/50R [Cord type / Loop type]	Aluminum	AB-7001~7010 AB-7103~7406	Product width (m) × 0.8 [kg]	(Product width (m) × Product height (m) × 0.8) + (Product width (m) × 0.3) [kg]	Product width (m) × 0.35 [kg]
	Plastic	AB-7101~7102		(Product width (m) × Product height (m) × 1.0) + (Product width (m) × 0.3) [kg]	