



WOOD BLIND **FORETIA**

NEW FUNCTION



Height Adjustment Function: Perfectly adjustable to the inside of window frames

The height of blinds after installation can now be easily adjusted (up to approximately 30mm). This function is standard for all types of FORETIA. This enables the blinds to accurately fit inside a window frame, thus resolving the issue of the unpleasant sound of bottom rail hitting the window frame.

Adjustable with the product installed.

Height Adjustment Function (for Ladder Cord)



Turn the tape holder on the back-side of the bottom rail with something like a coin or flat-braid screwdriver. The height of the blinds will be shortened by a level equivalent to 1 pitch of the ladder cord.

For reference: The height will be shortened by about 5mm with a quarter turn.

Tape holder

Height Adjustment Function (for Ladder Tape)



Hold the ladder tape fixed to the bottom holder and pull it to adjust the height.

For reference:
The height can be shortened by about 10mm for 25R, about 15mm for 35PR/35R and about 30mm for 50R/ECO50R.

Ladder Tape



“Side Switch-Over Function” convenient for rearranging rooms, etc. released!

Side Switch-Over Function is added to the Loop type. When you want to shift the cord operation position due to room rearrangements, etc., you can do so easily without using a tool.



Turn the operation pulley 45 degrees in the direction indicated by the arrow and remove the part.

Before left-right switch-over (Right-side operation)



Turn the operation pulley 45 degrees in the direction indicated by the arrow to install it.

*After the operation pulley is installed, operate it slowly to check if it is properly installed.

After left-right switch-over (Left-side operation)



The operability and available sizes of the Loop type have been significantly improved.

Loop type suitable for large windows. With the operational load reduced by about 30% compared to conventional company products, operation has been made easier than before. In addition, the available sizes have been significantly expanded. As for the Loop type, the maximum area is expanded to 6.0m² from the previous 4.5m²!



Operation power reduced by **30%**



“FORETIA Aqua” new water-resistant slats suitable for bathrooms and other place with moisture!

Recommend the wood grain pattern even for bathrooms, just like a modern-style hotel.

With water-resistant slats, FORETIA Aqua wood grain pattern blinds can be fit even in bathrooms, kitchens and other place with moisture. The calmness and warmth of the wood taste brings people more comfortably and more relaxing time.

■FORETIA Aqua water-resistant slats are available in four colors. *Plastic material is used for the slats.

FT-A-5011 White

FT-A-5013 Natural

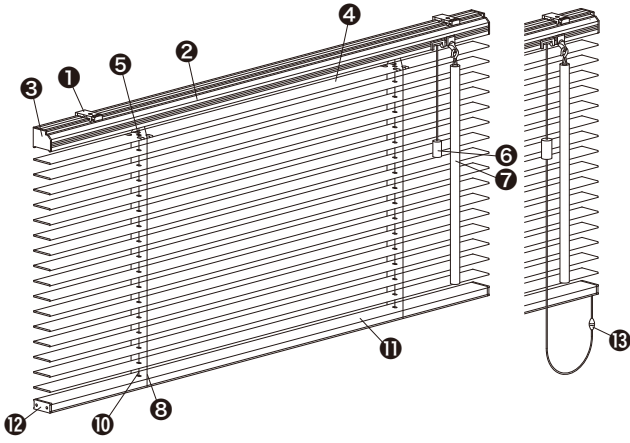
FT-A-5033 Brown

FT-A-5015 Walnut

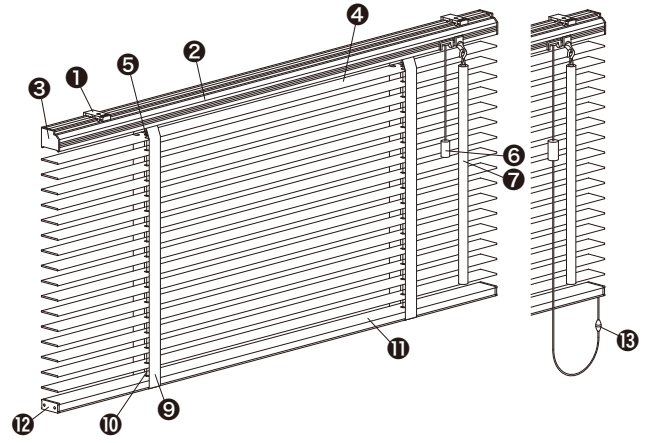


STRUCTURE & PART NAME

FORETIA 25P/35P

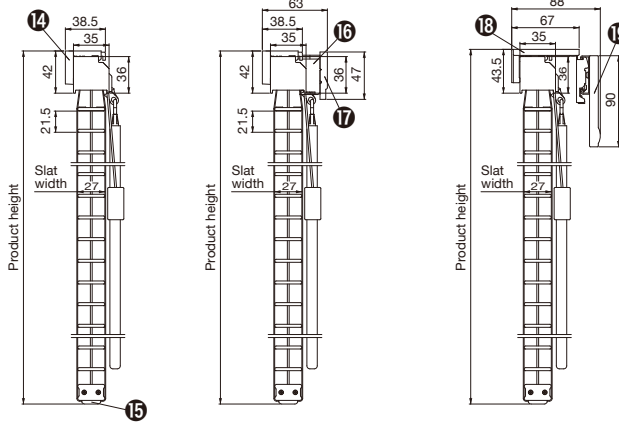


FORETIA 35PR



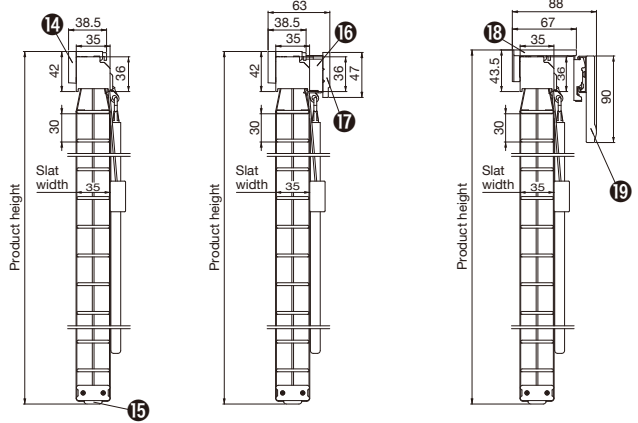
FORETIA 25P

Without Valance Natural Wood Valance Modern Material Valance



FORETIA 35P/35PR

Without Valance Natural Wood Valance Modern Material Valance



Part Name and Material

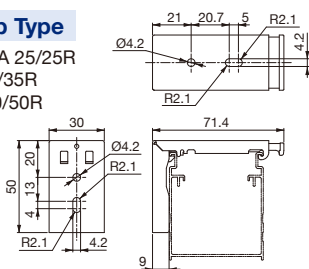
Part Name	Material	Color
1 Mounting Bracket	Stainless alloy, Plastic	Plastic portion : Clear
2 Head Rail	Extruded aluminum	13 colors similar to slat color
3 Head Rail Cap	Plastic	13 colors similar to slat color
4 Slat	Basswood	19 colors
5 Slat Holder	Corrosion-resistant aluminum alloy	13 colors similar to slat color
6 Tassel	Basswood	17 colors similar to slat color
7 Tilt Pole	Basswood	17 colors similar to slat color
8 Ladder Cord	Polyester	12 colors similar to slat color
9 Ladder Tape	Polyester	26 items (35PR only)
10 Lift Cord	Polyester	10 colors similar to slat color
11 Bottom Rail	Basswood	19 colors
12 Bottom Rail Plate	Plastic	13 colors similar to slat color

Part Name	Material	Color
13 Safety Joint	Plastic	Milky white
14 Bracket Cap	Plastic	13 colors similar to slat color
15 Cord / Tape Holder	Plastic	13 colors similar to slat color
16 Valance Holder	Plastic	Clear
17 Natural Wood Valance	Basswood Metal line part: Extruded aluminum	19 colors similar to slat color Metal line portion: 2 colors of silver and brown
18 Valance Mounting Bracket	Steel plate press molding	
19 Modern Material Valance	Extruded aluminum	10 colors

Bracket Specification

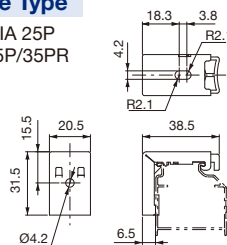
For Loop Type

For FORETIA 25/25R
FORETIA35/35R
FORETIA 50/50R



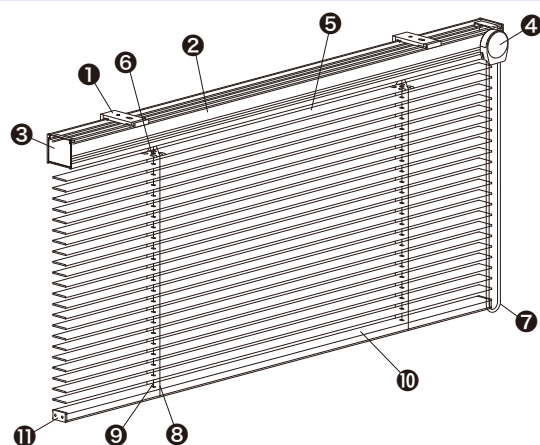
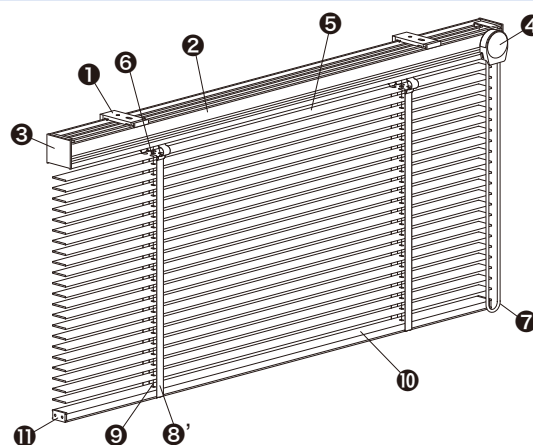
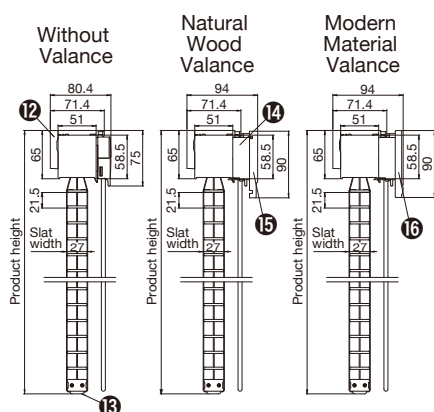
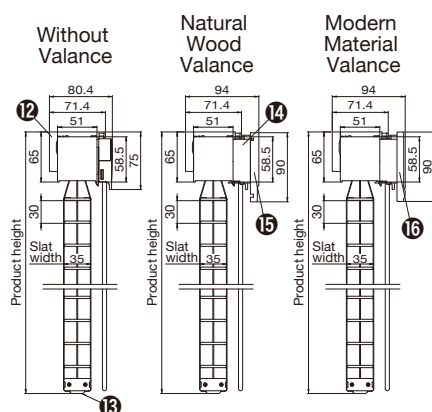
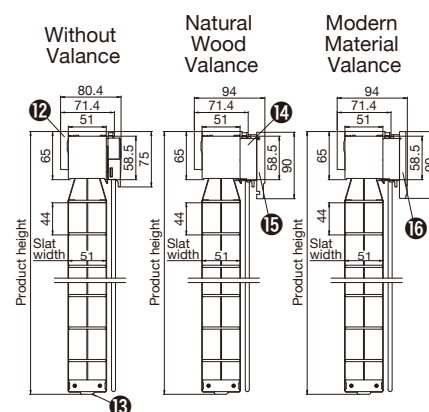
For Pole Type

For FORETIA 25P
FORETIA35P/35PR



Number of Brackets

Product Width	Number of Brackets
450 (330)~1300mm	2
1310~1800mm	3
1810~2400 (2000)mm	4

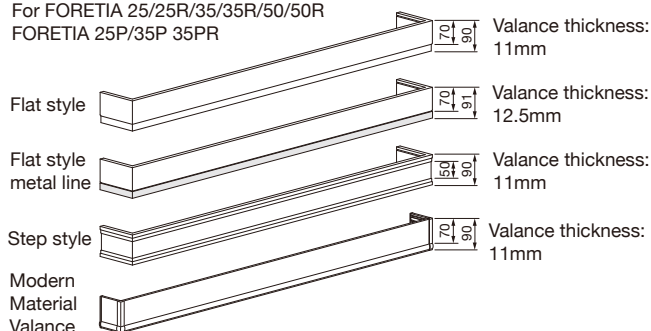
FORETIA 25/35/50**FORETIA 25R/35R/50R****FORETIA 25/25R****FORETIA 35/35R****FORETIA 50/50R****Part Name and Material**

Part Name	Material	Color
① Mounting Bracket	Stainless alloy, Plastic	Plastic portion : clear
② Head Rail	Aluminum extrusion	13 colors similar to slat color
③ Head Rail Cap	Plastic	13 colors similar to slat color
④ Operation Pulley	Plastic, etc.	13 colors similar to slat color
⑤ Slat	Basswood	19 colors
⑥ Slat Holder	Corrosion-resistant aluminum alloy	13 colors similar to slat color
⑦ Operation Cord	Polyester	11 colors similar to slat color
⑧ Ladder Cord	Polyester	12 colors similar to slat color
⑧' Ladder Tape	Polyester	25R: 19 item 35R, 50R: 26 item

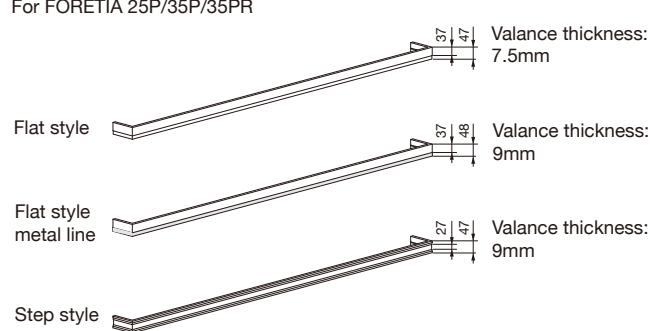
Part Name	Material	Color
⑨ Lift Cord	Polyester	10 colors similar to slat color
⑩ Bottom Rail	Basswood	19 colors
⑪ Bottom Plate	Plastic	13 colors similar to slat color
⑫ Bracket Cap	Plastic	13 colors similar to slat color
⑬ Cord / Tape Holder	Plastic	13 colors similar to slat color
⑭ Valance Holder	Plastic	Clear
⑮ Natural Wood Valance	Basswood Metal line part: Aluminum extrusion	19 colors similar to slat color Metal line portion: 2 colors of silver and brown
⑯ Modern Material Valance	Aluminum extrusion	10 colors

Valance Specification**For Loop Type / For Pole Type**




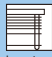

For FORETIA 25/25R/35/35R/50/50R
FORETIA 25P/35P 35PR

**For Pole Type**

For FORETIA 25P/35P/35PR



PRODUCT TYPE & SPECIFICATION

		FORETIA						
Slat Width		25mm width 		35mm width 		50mm width 		
Color Variation		19 colors		19 colors		4 colors	4 colors	6 colors
Product type	Ladder Cord specifications	FORETIA 25	FORETIA 25P	FORETIA 35	FORETIA 35P	FORETIA 50	FORETIA 50 Aqua	FORETIA ECO 50
	Ladder Tape specifications	FORETIA 25R	—	FORETIA 35R	FORETIA 35PR	FORETIA 50R	—	FORETIA ECO 50R
Operation method	 Loop type  Pole type	Loop type	Pole type	Loop type	Loop type	Pole type	Loop type	Loop type
Available sizes	Product width (W)	450~2400mm	330~2000mm	450~2400mm	330~2000mm	450~2400mm	450~2400mm	450~2400mm
	Product height (H)	500~3000mm	300~2500mm	500~3000mm	300~2500mm	500~3000mm	300~2500mm	500~3000mm
	Max. area	6.0m ²	2.0m ²	6.0m ²	2.0m ²	6.0m ²	4.0m ²	6.0m ²
Function/Option	Height Adjustment Function	●	●	●	●	●	●	●
	Left-Right Switch-Over Function (only for Loop type)	●	—	●	—	●	●	●
	Valance (optional)	Specifications with valance	●	●	●	●	—	●
		Valance set	●	●	●	●	—	●

■ Type of Operation

Loop Cord Type



Standard Specification For
FT25, 35, 50, 25R, 35R, 50R,
FT Aqua, FT Eco

Pole Type



Standard Specification For
FT25P, 35P, 35PR

■ Type of Valance (Optional)

Natural Wood Valance

Flat style			Step style
	Metal line (Silver) 	Metal line (Brown) 	

Modern Material Valances

Pure Color Series	Fine Leather Series	Extra Wood Series
