



*VENETIAN BLIND* **MONOCOM**

# VENETIAN BLIND MONOCOM



## Available Size

(Both width and height are available in the 10mm units.)

### Ladder Cord Type

Product Name	MONOCOM 25	MONOCOM 35	MONOCOM 50
Slat width	25mm	35mm	50mm
Product width	450~4000mm		
Product height	120~5000mm		
Max. area	9m <sup>2</sup>		

\*For the product width of 450 – 630mm, the product height will be 2500mm or less.

### Ladder Tape Type

\*Not compliant with products with a slat width of 50mm.

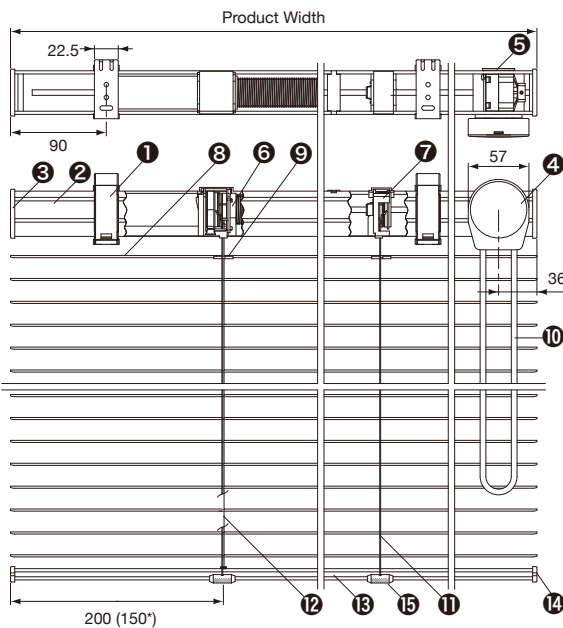
Product Name	MONOCOM 25R	MONOCOM 35R
Slat width	25mm	35mm
Product width	450~4000mm	
Product height	120~3500mm	
Max. area	9m <sup>2</sup>	

\*For the product width of 450 – 630mm, the product height will be 2500mm or less.

## STRUCTURE & PART NAME

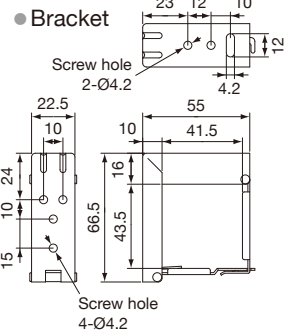
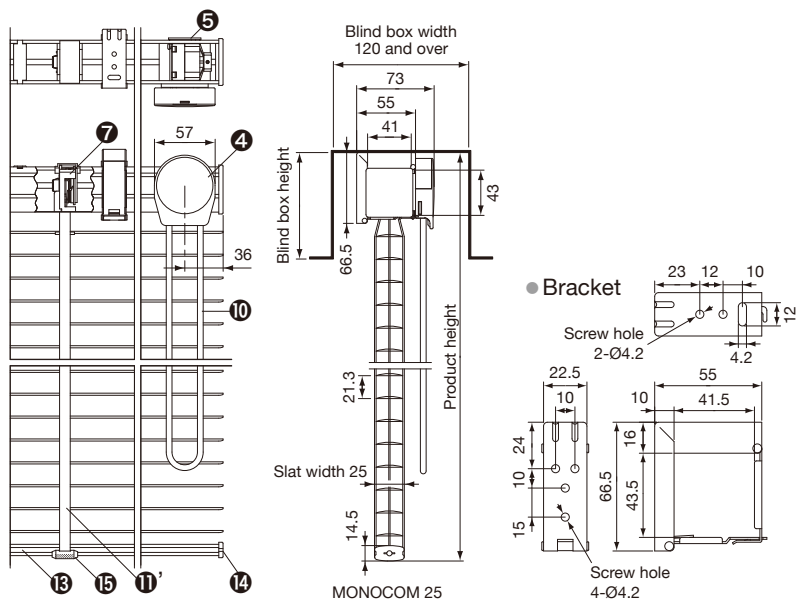
(Unit: mm)

### Ladder Cord Type



\*The size in ( ) indicates the size when the product width is 630mm or less.

### Ladder Tape Type



### Part Name and Material

Part Name	Material	Color	
1 Mounting Bracket	Coated steel plate molding	Similar to slat color	
2 Head Rail	Coated steel plate molding	Similar to slat color	
3 Head Rail Cap	Plastic	Milky white	
4 Operation Pulley	Plastic	Similar to slat color	
5 Gear Cover	Plastic	Similar to slat color	
6 Cord Support	Plastic	Milky white	
7 Dram Support	Plastic	Milky white	
8 Slat	Corrosion-resistant aluminum alloy	<b>Ladder Cord Type</b>	<b>Ladder Tape Type</b>
		25mm: 102 colors 35mm: 58 colors 50mm: 6 colors	25mm: 98 colors 35mm: 58 colors

Part Name	Material	Color
9 Slat Holder	Plastic	Clear
10 Operation Cord	Polyester	Similar to slat color
11 Ladder Cord	Polyester	Similar to slat color
11' Ladder Tape	Polyester	Similar to slat color (Tape width: 10mm) *Details for ladder tape colors are indicated on page 3.
12 Lift Cord	Polyester	Similar to slat color
13 Bottom Rail	Coated steel plate molding	Similar to slat color
14 Bottom Rail Cap	Plastic	Milky white
15 Tape Holder	Plastic	Clear

# NEW FUNCTION

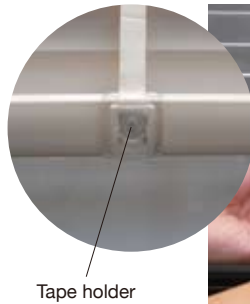


## **New** Height Adjustment Function: Perfectly adjustable to the inside of window frames

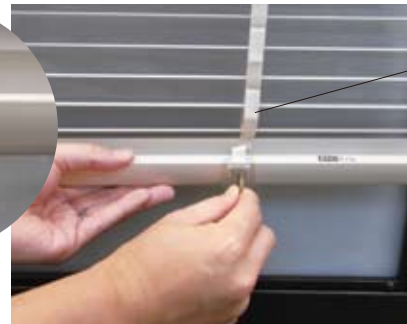
The height of blinds after installation can now be easily adjusted (up to approximately 30mm). This function is standard for all types of MONOCOM. This enables the blinds to accurately fit inside a window frame, thus resolving the issue of the unpleasant sound of slats hitting the window frame.

Adjustable with the product installed.

### Height Adjustment Function (for Ladder Cord)



### Height Adjustment Function (for Ladder Tape)



Ladder tape

Tape holder

Turn the tape holder on the back-side of the bottom rail with something like a coin or flat-bladed screwdriver. The height of the blinds will be shortened by a level equivalent to 1 pitch of the ladder cord. For reference: The height will be shortened by about 5mm with a quarter turn.

## **New** “Side Switch-Over Function” Convenient for rearranging rooms, etc.



Side Switch-Over Function is available now. When you want to shift the cord operation position due to room rearrangements, etc., you can do so easily without using any tool.



Turn the operation pulley 45 degrees in the direction indicated by the arrow and remove the part.



Turn the operation pulley 45 degrees in the direction indicated by the arrow to install it.

\*After the operation pulley is installed, operate it slowly to check if it is properly installed.

Before left-right switch-over (Right-side operation)

After left-right switch-over (Left-side operation)

## **New** The operability of the Loop Cord operation have been significantly improved.

Loop type suitable for large windows. With the operational load reduced by about 30% compared to previous products, operation has been made easier than before.

Operation power reduced by  
**30%**



## MONO TOUCH 25/35

Blind with only a single cord for all the actions of raising, one-touch lowering and opening/closing.



### Smooth and excellent maneuverability

Raising, lowering and opening/closing are all done with a single endless cord. Simple one-touch pulling action will lower the blind all the way down. Versatile maneuverability ensures a smooth operation from a straight down or slanted position. Eliminating up and down movement of Bottom Rail during tilting prevents light from coming through and improved shielding ability. There are two types of 25mm and 35mm slat.



### Built-in automatic stop device against obstacles

When blind touches some obstacle during lowering movement for example, special limit device functions to stop lowering and prevent any cause for trouble.

## OPERATION METHOD

Operating a single endless cord enables raising/lowering of blind as well as adjustment of slat angle.

Pulling down the cord (目) for about 20cm will automatically lower the slats. To stop it midway, pull down the cord (月) for about 20cm. Pulling (月) will turn the convex side of slats toward interior, and a continuation of pulling will raise the slats.





## PRODUCT SPECIFICATION

### Available Size

(Width and height are available in the 10mm units)

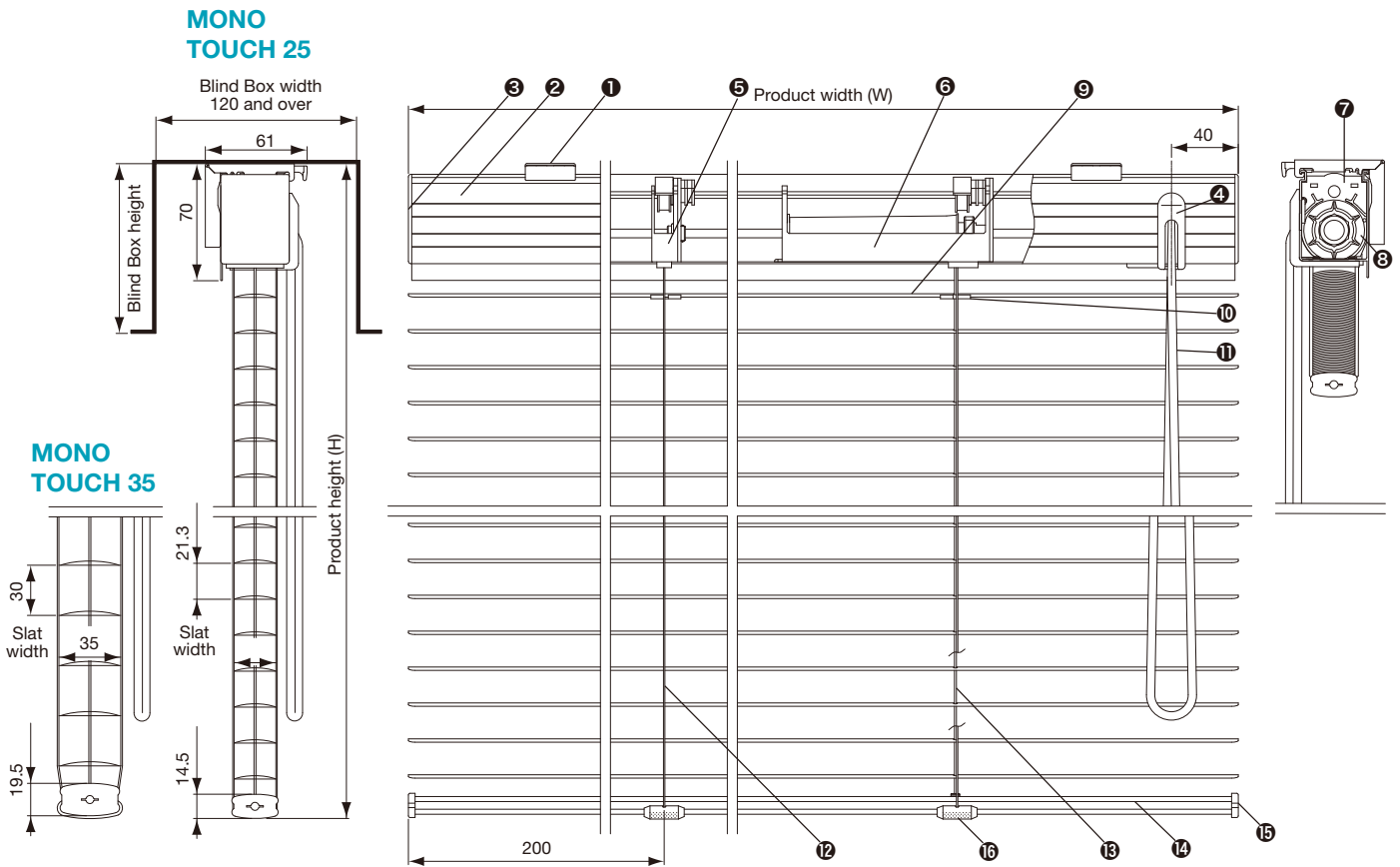
Item	Product name	MONO TOUCH 25/35
Width (W)		800~4000mm
Height (H)		800~5000mm
Max. area		Up to 9m <sup>2</sup>

### Operation type

Left side operation	Right side operation
	

# STRUCTURE AND PART NAME

(Unit: mm)



## Part Specification

Product name		MONO TOUCH 25	MONO TOUCH 35
Slat	Material	Corrosion-resistant aluminum alloy	Corrosion-resistant aluminum alloy
	Size Color	Width 25mm Total 78 colors	Width 35mm Total 68 colors
Head Rail	Material	Aluminum extrusion material	
	Size Color	W41 X H69mm Color same as or similar to slat color	
Bracket	Material	Stainless steel alloy/Plastic (Polycarbonate)	
	Size Color	W60.9 X H50mm Clear (Plastic part)	
Bottom Rail	Material	Electrogalvanized steel sheet	Electrogalvanized steel sheet
	Size Color	W24.7 X H11.5mm Color same as or similar to slat color	W33 X H16.5mm Color same as or similar to slat color
Operation Cord	Material Color	Polyamide (Antibacterial specification) Color similar to slat color	
Lift Cord	Material	Polyester	
Ladder Cord	Material Color	Polyester Color similar to slat color	

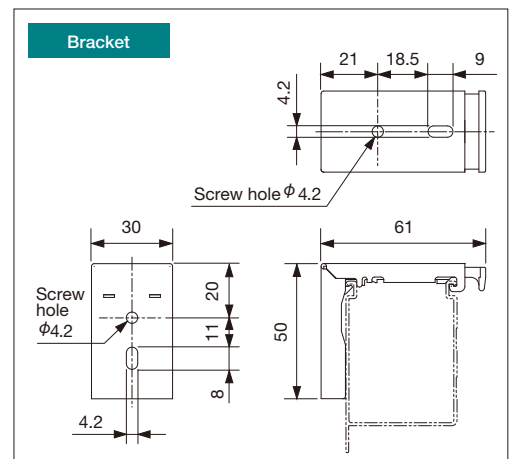
- ① Bracket
- ② Head Rail
- ③ Head Rail Cap
- ④ Cord Gate
- ⑤ Tilt Support
- ⑥ Rewind Pulley
- ⑦ Operation Unit
- ⑧ Gear Pulley
- ⑨ Slat
- ⑩ Slat Holder
- ⑪ Operation Cord
- ⑫ Ladder Cord
- ⑬ Lift Cord
- ⑭ Bottom Rail
- ⑮ Bottom Rail Cap
- ⑯ Tape Holder

## Folded-up dimension

MONO TOUCH 25	MONO TOUCH 35
Blind height X $\frac{23}{1000} + 95\text{mm}$	Blind height X $\frac{23}{1000} + 100\text{mm}$

## Number of Bracket

W dimension (mm)	Quantity
1830 and under	2pcs
1840~3000	3pcs
3010 and over	4pcs



\*Calculation formula of folded-up dimension has an allowance of 10~15mm.

## MONOCOM BLACKY (BLACK OUT TYPE)

Quickly transforms an ordinary room to a projection room.



### ■ Excellent blackout effect

Overlapping area of slats is made about twice as much as a normal blind to eliminate the light coming through Lift Cord holes of slats. To reduce reflection of light, slat is black and matted.

Open

Close



### ■ Guide Rail to further enhance blackout



## PRODUCT SPECIFICATION

### ■ Available Size

(Width and height are available in the 10mm units.)

Width (W)	480~4000mm
Height (H)	120~4000*mm
Max. area	7m <sup>2</sup>

\*For product width of 480~670mm, maximum height available is 2500mm.

### ■ Number of Bracket

W dimension (mm)	Quantity
480~1830	2pcs
1840~3000	3pcs
3010~4000	4pcs

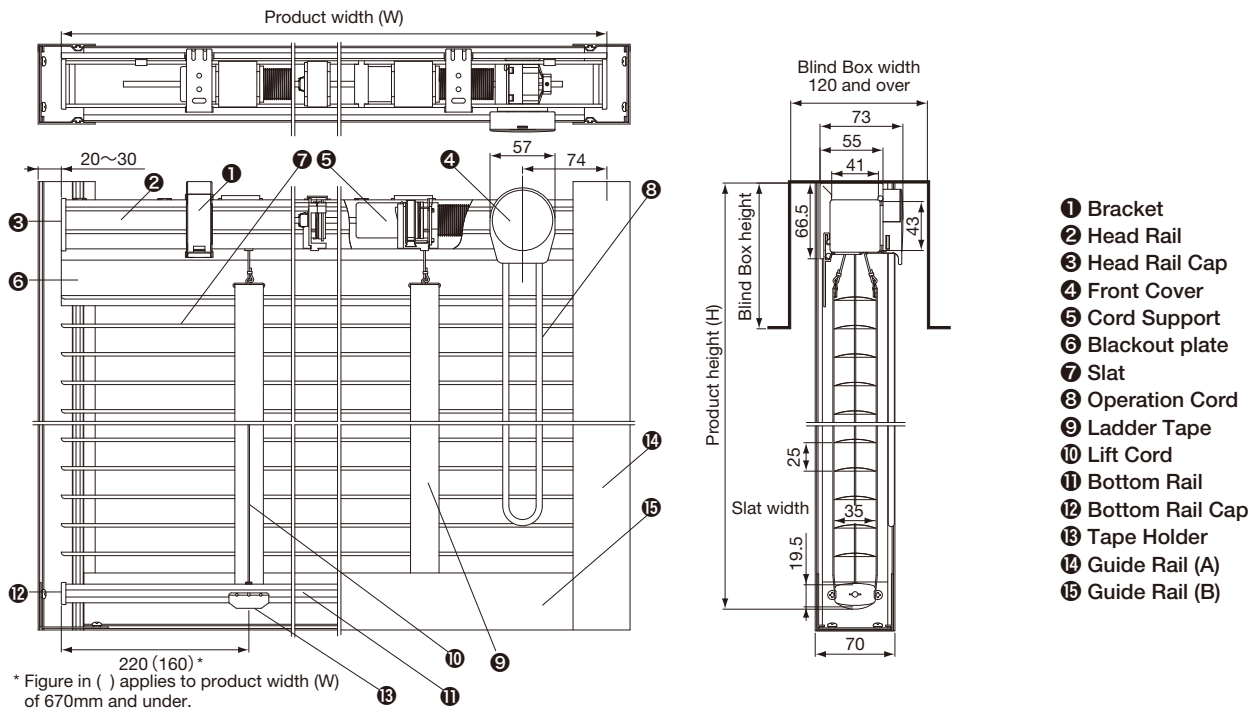
### ■ Folded-up dimension

$$\text{Blind height} \times \frac{43}{1000} + 85\text{mm}$$

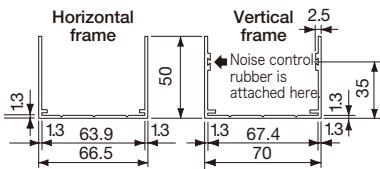
\*Calculation formula of folded-up dimension has an allowance of 10~15mm.

# STRUCTURE AND PART NAME

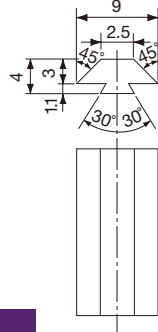
(Unit: mm)



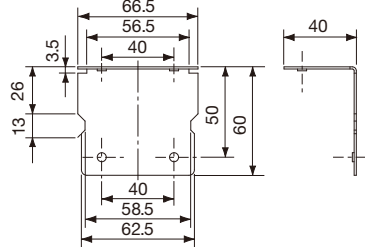
Guide Rail (Optional)



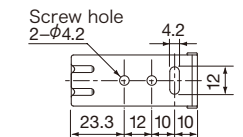
Noise control rubber (Optional)



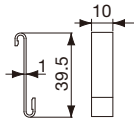
L plate (Optional)



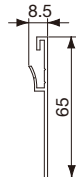
Bracket



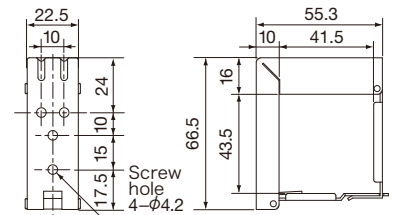
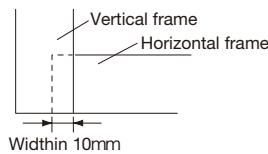
Blackout plate hanger



Blackout plate



Corner closure



## Part Specification

Slat	Material Size Color	Corrosion-resistant aluminum alloy Width 35mm One color of Mat Black (T-82) only	Lift Cord	Material	Polyester
Head Rail	Material Size Color	Electrogalvanized steel sheet W41 X H43mm Black (T-05)	Operation Cord	Material	Polyamide (Antibacterial specification)
Bracket	Material Size Color	Cold rolled steel sheet W55.3 X H66.5mm Black (T-05)	Guide Rail (Optional)	Material Color	Corrosion-resistant aluminum alloy Silver, Black (T-05)
Bottom Rail	Material Size Color	Electrogalvanized steel sheet W33 X H16.5mm Black (T-05)	Noise control rubber (Optional)	Material	Vinyl chloride plastic
Ladder Cord	Material Size Color	Polyester Tape width 25mm Black	L plate (Optional)	Material	Electrogalvanized steel sheet